

LRD SERIES RESIDENTIAL LIGHTING

LRD-7W-MCT5-3WTRPH
3" LED ARCHITECTURAL WINGED PIN HOLE RECESSED LIGHTS

MCT5 Multi Color Temperature (Selectable)

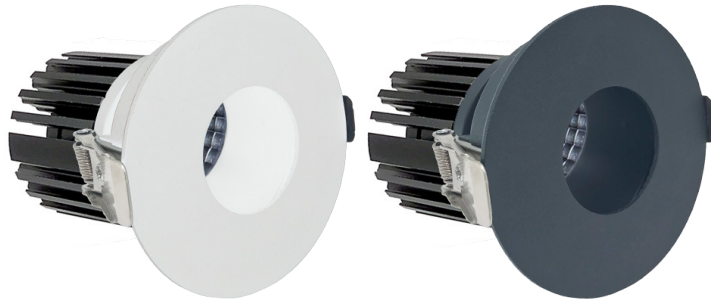
WESTGATE
THE FUTURE IS HERE...AND IT'S QUITE BRIGHT!

Customer Name: _____

Project Name: _____

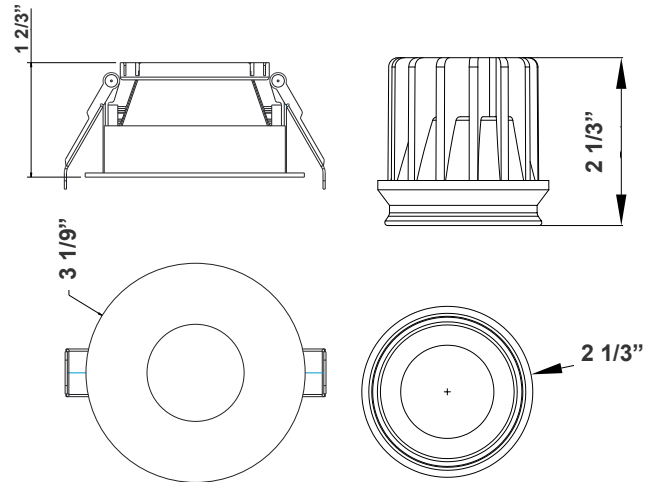
Note: _____

Type: _____



WHITE

BLACK



3 3/4" (H) X 3 1/9" (D)

Box Dimensions:

5-1/4" x 1-5/8" x 1-1/8"

Junction Area Dimensions:

2-1/16" x 1-5/8" x 1-1/8"

Ideal for New as well as old residential and commercial constructions.

Features

- 3" (2-1/8" Actual) LED Pin Hole Recessed Trim
- Die-cast Aluminum with white powder coat finish
- 5-Year Warranty
- Junction Box Included With Fixture

Technical Specifications

Electrical:

- Voltage: 120VAC
- Wattage: 7W
- Power factor: >0.90
- Efficacy: Up to 70 LM/W

Mechanical:

- Up to 9 AWG18 Wires
- Die-Cast Aluminum With White Powder Coat Finish
- Clear Glass Lens
- Junction Box Rated Up to 9 AWG18 Wires
- Type IC rated: Approved for Direct Contact With Insulation
- Operating temperature: 104°F
- Air-Tight and Type IC Rated: No Housing Required
- Damp Location Approved
- 5-Year Warranty

Lighting:

- Multi CCT (Selectable Switch on the Back of the Driver)
- Dimming: Dimmable Down to 10% Using Standard TRIAC LED Dimmer
- Total Lumens: 490LM
- Color Temperature: 2700K/3000K/3500K/4000K/5000K
- Color Rendering index: >90
- Beam Angle: 10°
- Lifespan: 50,000 Hrs.

Applications:

- Ideal for New as well as old residential and commercial constructions.

Other Models:

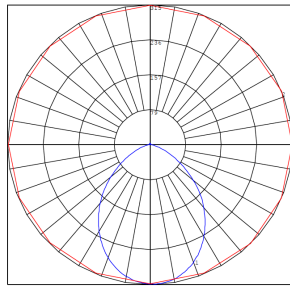
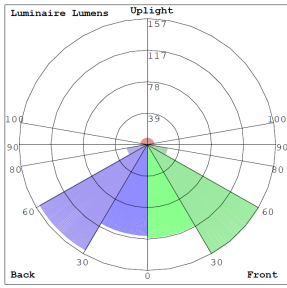
- 10W | 700LM | LRD-10W-MCT5-3WTRPH-WH/BK



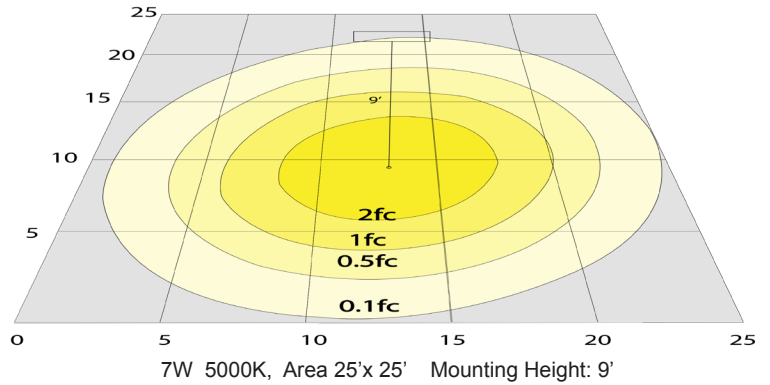
Phone: (877) 805-2252 | Fax: (877) 805-2252
www.westgatemfg.com



Photometrics: LRD-7W-MCT5-3WTRPH



BUG Rating: B1-U1-G0



7W 5000K, Area 25'x 25' Mounting Height: 9'

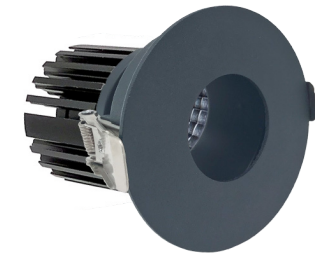
Other Views:



LRD-WTR3PH-WH

LRD-EGN-7W-MCT5-D

LRD-7W-MCT5-3WTRPH-WH



LRD-WTR3PH-BK

LRD-EGN-7W-MCT5-D

LRD-7W-MCT5-3WTRPH-BK

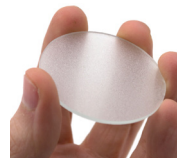
Performance Table: LRD-7W-MCT5-3WTR

MODEL NO.	Wattage	Voltage	Lumens	Color Temp.	BUG Rating	LPW
LRD-7W-MCT5-3WTRPH	7W	120V	490LM	2700K	B1-U1-G0	70
				3000K		
				3500K		
				4000K		
				5000K		

Accessory:

Blank = No Option For Accessories
LRD-FGL = LRD SERES FROSTED GUASS LENS

Accessory:



LRD-FGL

Sample Ordering

Model	Wattage	Color Temp.	Size	House				
LRD	-	7W	-	MCT5	-	3WTRPH	-	<input type="text"/>
WH = WHITE BK = BLACK								

